

MOTOROLA SEMICONDUCTOR PROGRAMMING NOTE

Period Measurement With Missing Transition Detection TPU Function (PMM)

By Sharon Darley

1 Functional Overview

The PMM function detects missing transitions embedded in a series of input pulses by measuring each pulse period to a 23-bit resolution. It detects a missing transition when the current period is greater than the previous period multiplied by a programmable ratio. It has two operating modes: count mode and bank mode. In count mode, the PMM function counts the number of missing transitions and compares it with a programmable maximum value before resetting the TCR2 counter and starting over with the next series of pulses. In bank mode, the TCR2 counter resets when a missing transition is detected and the flag BANK_SIGNAL is set to a non-zero value.

2 Detailed Description

The PMM function is typically used in automotive applications for detecting a reference point on a fly-wheel with regularly spaced teeth. This reference point is in the form of a missing tooth. A missing tooth causes a longer interval between teeth, and the PMM function is able to detect this extended interval by measuring the current period and comparing it with the previous period. The PMM function is usually used in conjunction with the PSP function. The PSP function generates an output pulse in relation to the missing tooth detected by the PMM function.

The PMM function measures the period between regularly spaced transitions for a channel that has its input connected to the same source as the clock input to TCR2. It detects a missing transition when the current period \geq PERIOD * RATIO. Thus, it is able to effectively map engine-cycle position into TCR2 counts.

When the PMM function is in count mode and detects a missing transition, it increments the parameter MISSING_COUNT. It then compares the new MISSING_COUNT to MAX_MISSING. If the new MISSING_COUNT is greater than or equal to MAX_MISSING, then the PMM function resets TCR2 to \$FFFF, clears MISSING_COUNT, and requests an interrupt.

When the PMM function is in bank mode and detects a missing transition, it reads the value BANK_SIGNAL. If BANK_SIGNAL is set to a non-zero value, the PMM function resets TCR2 to \$FFFF, clears BANK_SIGNAL, and requests an interrupt. If BANK_SIGNAL is set to zero, the PMM function requests an interrupt but does not reset TCR2. BANK_SIGNAL can be set by another function. The ITC function is ideal for this purpose.

ROLLOVER_COUNT is a parameter used to calculate a 23-bit period from the 16-bit TCR count. It increments each time the TCR count equals or exceeds \$8000 during a period measurement. At the beginning of service, REF_TIME contains the TCR1 value of the prior input capture, and the capture register contains the TCR1 value of the latest transition. On each normal transition, the PMM function places the elapsed time measured into PERIOD_LOW_WORD and PERIOD_HIGH_WORD, measuring a time of up to \$7EFFFF TCR1 clocks. On the normal transition following a missing transition, a value of one half the measured time is stored into these two parameters. (If the period measured is longer than \$7EFFFF, the period time is set to \$7FXXXX.)



Some transitions may be incorrect or invalid. In automotive and similar environments, noise in the system, malformed teeth on the flywheel, or incorrect adjustment of the transducer can cause the signal from a valid tooth to be lost. To help detect these missed transitions, the PMM supplies some noise immunity by requiring that 1) the total number of transitions does not exceed the value of TCR2_MAX_VALUE, and 2) the number of normal transitions to be counted between missing transitions is equal to NUM_OF_TEETH. Remember that tooth count begins with zero instead of one, so the values in these two parameters will be one less than the actual number of teeth. These checks help to identify the index position. If the numbers do not match, the function assumes that the detected missing transition was invalid and responds by doing the following:

1. Indicates the error condition by setting TCR2 to the value \$80FF and the most significant byte of TCR2_VALUE to \$80 (the value \$80FF can never cause a match detection by a channel executing PSP);
2. Interrupts the CPU on each tooth (input transition);
3. Continues to increment the lower byte of TCR2_VALUE;
4. Continues to calculate the period;
5. Stores the time of the last tooth in REF_TIME.

The decision of what to do for this unsynchronized condition is left up to the system programmer. The programmer may then use the force mode available in the OC or PSP functions to directly control the output channels.

The system designer must ensure that the missing transition is serviced completely (both scheduled and served) before the next normal transition occurs. If service is incomplete, errors may pass undetected. To ensure complete service, there are limitations on the parameter RATIO (see description) and requirements for programming the scheduler. Some basic rules are the following:

- The PMM and PSP channels must have the same priority level.
- The PMM channel must be assigned a lower channel number than the PSP channel in order to service the PMM channel before the PSP is serviced in the case of simultaneous requests.
- The priority level of the PMM channel should be high enough to ensure service completion before the next normal transition occurs.

At PMM initialization, TCR2 is initialized to \$C0FF since the value of \$C0FF cannot cause a match detection by the channel executing PSP. On each transition detected, TCR2_VALUE is incremented, tracking TCR2, and is readable by the CPU at any time. The PMM channel is synchronized to the input whenever the missing and normal transitions occur in the expected sequence. With synchronization, TCR2 is reset to \$FFFF. TCR2 values from \$0000 to \$00FF can cause a match detection by the channels executing PSP. By setting the host sequence bit 0, the user may choose one of two operating modes: count mode or bank mode.

2.1 Count Mode

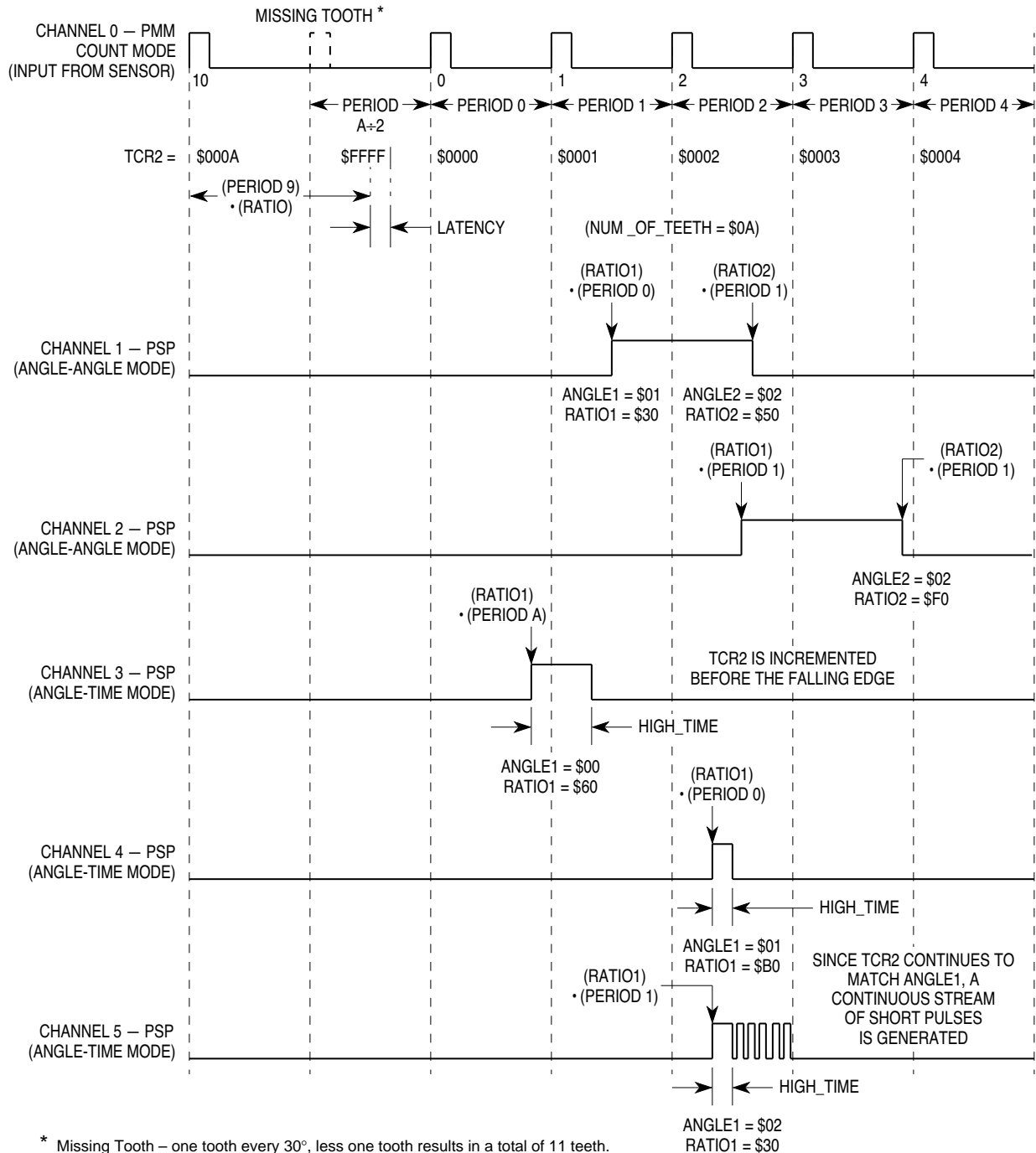
In this mode, TCR2 is set to \$FFFF after the number of missing transitions in MAX_MISSING has been identified and counted.

2.2 Bank Mode

In this mode, TCR2 is set to \$FFFF if a missing transition has been identified and BANK_SIGNAL is a non-zero value. BANK_SIGNAL can be incremented by another function such as the ITC function.

Figure 1 is an example of PMM used with a PSP function. The input to the PMM channel and the TCR2 clock input is a flywheel with teeth spaced every 30 degrees, with one missing tooth as a reference indicator. Detection of the missing tooth causes the function to set TCR2 to \$FFFF; the next tooth and input capture event advances TCR2 to \$0000, and each successive tooth advances TCR2. When the missing tooth is detected, TCR2 and TCR2_VALUE contain \$0A; therefore, NUM_OF_TEETH must also be \$0A.

The waveforms shown for channels 4 and 5 illustrate two ways of programming a pulse using angle-angle mode. The waveform for channel 4 illustrates the preferred way since it produces only one waveform. Refer to Motorola Programming Note TPUPN14/D, *Position-Synchronized Pulse Generator TPU Function (PSP)* for additional information.



1037A

Figure 1 PMM and PSP Together

3 Function Code Size

Total TPU function code size determines what combination of functions can fit into a given ROM or emulation memory microcode space. PMM function code size is:

$$80 \mu \text{ instructions} + 6 \text{ entries} = \mathbf{86 \text{ long words}}$$

4 Function Parameters

This section provides detailed descriptions of PMM function parameters stored in channel parameter RAM. **Figure 2** shows TPU parameter RAM address mapping. **Figure 3** shows the parameter RAM assignment used by the PMM function. In the diagrams, Y = M111, where M is the value of the module mapping bit (MM) in the system integration module configuration register (Y = \$7 or \$F).

Channel Number	Base Address	Parameter Address							
		0	1	2	3	4	5	6	7
0	\$YFFF##	00	02	04	06	08	0A	—	—
1	\$YFFF##	10	12	14	16	18	1A	—	—
2	\$YFFF##	20	22	24	26	28	2A	—	—
3	\$YFFF##	30	32	34	36	38	3A	—	—
4	\$YFFF##	40	42	44	46	48	4A	—	—
5	\$YFFF##	50	52	54	56	58	5A	—	—
6	\$YFFF##	60	62	64	66	68	6A	—	—
7	\$YFFF##	70	72	74	76	78	7A	—	—
8	\$YFFF##	80	82	84	86	88	8A	—	—
9	\$YFFF##	90	92	94	96	98	9A	—	—
10	\$YFFF##	A0	A2	A4	A6	A8	AA	—	—
11	\$YFFF##	B0	B2	B4	B6	B8	BA	—	—
12	\$YFFF##	C0	C2	C4	C6	C8	CA	—	—
13	\$YFFF##	D0	D2	D4	D6	D8	DA	—	—
14	\$YFFF##	E0	E2	E4	E6	E8	EA	EC	EE
15	\$YFFF##	F0	F2	F4	F6	F8	FA	FC	FE

— = Not Implemented (reads as \$00)

Figure 2 TPU Channel Parameter RAM CPU Address Map

	15	14	13	12	11	10	9	8	7	6	5	4	3	2	1	0
\$YFFFW0	REF_TIME							CHANNEL_CONTROL								
\$YFFFW2	MAX_MISSING							NUM_OF_TEETH								
\$YFFFW4	BANK_SIGNAL/MISSING COUNT							ROLLOVER_COUNT								
\$YFFFW6	RATIO							TCR2_MAX_VALUE								
\$YFFFW8	PERIOD_HIGH_WORD															
\$YFFFWA	PERIOD_LOW_WORD															
\$YFFFFC	ERROR								TCR2_VALUE							

W = Channel number

Parameter Write Access:

	Written by CPU
	Written by TPU
	Written by CPU and TPU
	Unused parameters

Figure 3 PMM Function Parameter RAM Assignment

4.1 CHANNEL_CONTROL

CHANNEL_CONTROL contains the channel latch controls and configures the PSC, PAC, and TBS fields. A channel executing this function is configured as input. The CPU must write CHANNEL_CONTROL before initialization. The PSC field is “don't care” for input channels. The PAC field specifies which edge to detect. Since the TCR2 external clock input detects rising edges only, the PAC field should be configured to detect rising edges unless unusual conditions exist. The TBS field configures a channel pin as input or output and configures the time base for match/capture events. The PMM function should use TCR1 for both types of events. The following table defines the allowable data for this parameter.

15	14	13	12	11	10	9	8	7	6	5	4	3	2	1	0
NOT USED							TBS			PAC			PSC		

Table 1 PMM CHANNEL_CONTROL Options

TBS	PAC	PSC	Action	
8 7 6 5	4 3 2	1 0	Input	Output
	0 0 0		Do Not Detect Transition	—
	0 0 1		Detect Rising Edge	—
	0 1 0		Detect Falling Edge	—
	0 1 1		Detect Either Edge	—
	1 x x		Do Not Change PAC	—
0 0 x x			Input Channel	—
0 0 0 0			Capture TCR1, Match TCR1	—
1 x x x			Do Not Change TBS	—

4.2 REF_TIME

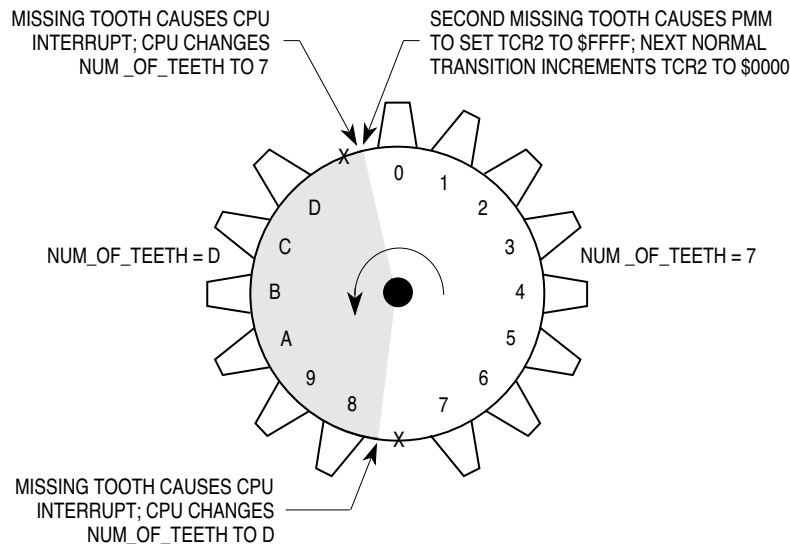
REF_TIME is the time of the last transition captured. After CHANNEL_CONTROL information is used during the *Init* state, the TPU writes the captured TCR1 value into REF_TIME on each normal transition detected.

4.3 MAX_MISSING

MAX_MISSING is a byte that contains the number of missing transitions to be counted before TCR2 is set to \$FFFF. This parameter is written by the CPU before initialization and is referenced by the TPU only in count mode (host sequence bits equal 11). It cannot be set to zero and used to generate a PSP output waveform for an input pulse train with no missing teeth.

4.4 NUM_OF_TEETH

NUM_OF_TEETH is the number of normal, regularly spaced teeth between missing transitions, including tooth number zero. This parameter allows the TPU to differentiate between valid and invalid missing transitions. For each missing transition detected, the TPU subtracts NUM_OF_TEETH from the current tooth count in TCR2 and continues executing the function if the result is zero. If the application has multiple missing teeth separated by different numbers of normal transitions, the host CPU must update NUM_OF_TEETH so that NUM_OF_TEETH contains the same value as TCR2 at each missing tooth. In Figure 4, the flywheel is divided into two segments with different numbers of teeth in each segment, so that the CPU can determine which half of the flywheel has the major reference tooth. At each missing tooth detected, TCR2 is compared with NUM_OF_TEETH, and an interrupt is sent to the CPU to allow the software to alternately change NUM_OF_TEETH between \$07 and \$0D.



NOTE: Flywheel has teeth each 22.5°, minus teeth at 180° and 337.5°, max missing = 2.

1039A

Figure 4 PMM NUM_OF_TEETH Example

4.5 BANK_SIGNAL

BANK_SIGNAL is a byte that contains the current value of the bank signal. A non-zero value means that BANK_SIGNAL is asserted; \$00 means that BANK_SIGNAL is negated. This parameter is referenced only in bank mode (host sequence bits equal 10). If BANK_SIGNAL is non-zero when a missing transition is detected, then TCR2 is set to \$FFFF and BANK_SIGNAL is cleared. BANK_SIGNAL is normally set by another time function, such as the ITC function, but can be set by the CPU when an outside reference determines that the next missing transition should cause TCR2 to become \$FFFF.

4.6 MISSING_COUNT

In count mode, the byte MISSING_COUNT contains the number of missing transitions detected. At initialization, this parameter is set to \$0000. Then, at each missing tooth, the PMM function compares MISSING_COUNT with the value in MAX_MISSING. If it is greater than or equal to MAX_MISSING at any missing tooth, TCR2 is set to \$FFFF and MISSING_COUNT is reset to \$0000. This parameter is used only in count mode.

4.7 ROLLOVER_COUNT

ROLLOVER_COUNT is a parameter used as a counter that increments each time the TCR count equals or exceeds \$8000 during a period measurement. This parameter is used to calculate a 23-bit period from the 16-bit TCR count and to determine if a period error (Figure 5) has occurred. This parameter is reset at the beginning of each measured period.

4.8 RATIO

RATIO, multiplied by the previous PERIOD, is the lower bound of time in which a normal transition must occur. This parameter is written by the CPU and used by the TPU.

The RATIO parameter must be bounded on the lower end to ensure that all normal transitions occur within the interval PERIOD * RATIO. The upper bound is limited by the requirement that 1) a match on the interval PERIOD * RATIO must occur to detect that a transition was missed, and 2) channel service must complete for TCR2 to be reset to \$FFFF. All actions must complete before the next normal transition, which causes TCR2 to increment to \$0000. The range of RATIO is therefore \$80 to \$FF (1.0₁₀ to 1.99₁₀) for PMM.

4.9 TCR2_MAX_VALUE

TCR2_MAX_VALUE is a byte containing the maximum permissible value of TCR2. This parameter identifies the case in which a missing transition goes undetected and TCR2, instead of resetting, continues incrementing. If TCR2 exceeds this value due to a normal transition instead of the expected missing transition, TCR2 is set to \$80FF, and MISSING_COUNT/BANK_SIGNAL is cleared to \$0000. This situation is recovered with re-synchronization.

4.10 PERIOD_HIGH_WORD

PERIOD_HIGH_WORD is the upper 8 bits [23:16] of the last measured period. This parameter, with PERIOD_LOW_WORD, indicates the TCR1 time duration between the last two input transitions. The maximum value in this parameter is \$007E, unless the measured period exceeds \$7EFFFF, in which case this parameter is set to \$007F. If the detected transition is identified as following a missing transition, one-half the measured period is used as the update value (with a maximum value of \$003F). PERIOD_HIGH_WORD may be read by the CPU at any time and should be read coherently with PERIOD_LOW_WORD.

4.11 PERIOD_LOW_WORD

PERIOD_LOW_WORD is the lower 16 bits [15:0] of the last measured period. This parameter, with PERIOD_HIGH_WORD, indicates the TCR1 time duration between the last two input transitions. If the detected transition is identified as following a missing transition, one-half the measured period is used as the update value. PERIOD_LOW_WORD may be read by the CPU at any time and should be read coherently with PERIOD_HIGH_WORD.

4.12 TCR2_VALUE

TCR2_VALUE is incremented on each transition to track the current value of TCR2. In normal operation (i.e., when no error condition exists), the high byte of this parameter is \$00, and the low byte contains the current value of the low byte of TCR2. This low byte is therefore the current TEETH_COUNT. When an error condition is detected, the high byte contains an error code and the low byte continues incrementing at each transition detected. The error code parameter is cleared when the error condition disappears. The error codes are shown in **Figure 5**.

15	14	13	12	11	10	9	8	7	6	5	4	3	2	1	0
ERR								TEETH-COUNT							

ERR — Error Code	
\$00	No error
\$80	TEETH_COUNT does not match NUM_OF_TEETH on a missing transition detection, or TCR2 exceeds TCR2_MAX_VALUE.
\$C0	(Normal period) or (missing tooth period ÷ 2) exceeds \$FFFF or (PERIOD * RATIO) exceeds \$7FFF (missing tooth interval).

Figure 5 Error Codes

5 Host Interface to Function

This section provides information concerning the TPU host interface to the PMM function. **Figure 6** is a TPU address map. Detailed TPU register diagrams follow the figure. In the diagrams, Y = M111, where M is the value of the module mapping bit (MM) in the system integration module configuration register (Y = \$7 or \$F).

Address	15	8	7	0
\$YFFE00	TPU Module Configuration Register (TPUMCR)			
\$YFFE02	Test Configuration Register (TCR)			
\$YFFE04	Development Support Control Register (DSCR)			
\$YFFE06	Development Support Status Register (DSSR)			
\$YFFE08	TPU Interrupt Configuration Register (TICR)			
\$YFFE0A	Channel Interrupt Enable Register (CIER)			
\$YFFE0C	Channel Function Selection Register 0 (CFSR0)			
\$YFFE0E	Channel Function Selection Register 1 (CFSR1)			
\$YFFE10	Channel Function Selection Register 2 (CFSR2)			
\$YFFE12	Channel Function Selection Register 3 (CFSR3)			
\$YFFE14	Host Sequence Register 0 (HSQR0)			
\$YFFE16	Host Sequence Register 1 (HSQR1)			
\$YFFE18	Host Service Request Register 0 (HSRR0)			
\$YFFE1A	Host Service Request Register 1 (HSRR1)			
\$YFFE1C	Channel Priority Register 0 (CPR0)			
\$YFFE1E	Channel Priority Register 1 (CPR1)			
\$YFFE20	Channel Interrupt Status Register (CISR)			
\$YFFE22	Link Register (LR)			
\$YFFE24	Service Grant Latch Register (SGLR)			
\$YFFE26	Decoded Channel Number Register (DCNR)			

Figure 6 TPU Address Map

CIER — Channel Interrupt Enable Register

\$YFFE0A

15	14	13	12	11	10	9	8	7	6	5	4	3	2	1	0
CH 15	CH 14	CH 13	CH 12	CH 11	CH 10	CH 9	CH 8	CH 7	CH 6	CH 5	CH 4	CH 3	CH 2	CH 1	CH 0

CH	Interrupt Enable
0	Channel interrupts disabled
1	Channel interrupts enabled

CFSR[0:3] — Channel Function Select Registers

\$YFFE0C – \$YFFE12

15	14	13	12	11	10	9	8	7	6	5	4	3	2	1	0
CFS (CH 15, 11, 7, 3)				CFS (CH 14, 10, 6, 2)				CFS (CH 13, 9, 5, 1)				CFS (CH 12, 8, 4, 0)			

CFS[4:0] — Function Number (Assigned during microcode assembly)

HSQR[0:1] — Host Sequence Registers

\$YFFE14 – \$YFFE16

15	14	13	12	11	10	9	8	7	6	5	4	3	2	1	0
CH 15, 7		CH 14, 6		CH 13, 5		CH 12, 4		CH 11, 3		CH 10, 2		CH 9, 1		CH 8, 0	

CH[15:0]	Action Taken
00	PMA Bank Mode
01	PMA Count Mode
10	(PMM Bank Mode)
11	(PMM Count Mode)

HSRR[0:1] — Host Service Request Registers

\$YFFE18 – \$YFFE1A

15	14	13	12	11	10	9	8	7	6	5	4	3	2	1	0
CH 15, 7		CH 14, 6		CH 13, 5		CH 12, 4		CH 11, 3		CH 10, 2		CH 9, 1		CH 8, 0	

CH[15:0]	Initialization
00	No Host Service Request
01	Initialization (<i>Init</i>)
10	Undefined
11	Undefined

CPR[1:0] — Channel Priority Registers

\$YFFE1C – \$YFFE1E

15	14	13	12	11	10	9	8	7	6	5	4	3	2	1	0
CH 15, 7		CH 14, 6		CH 13, 5		CH 12, 4		CH 11, 3		CH 10, 2		CH 9, 1		CH 8, 0	

CH[15:0]	Channel Priority
00	Disabled
01	Low
10	Middle
11	High

CISR — Channel Interrupt Status Register

\$YFFE20

15	14	13	12	11	10	9	8	7	6	5	4	3	2	1	0
CH 15	CH 14	CH 13	CH 12	CH 11	CH 10	CH 9	CH 8	CH 7	CH 6	CH 5	CH 4	CH 3	CH 2	CH 1	CH 0

CH	Interrupt Status
0	Channel interrupt not asserted
1	Channel interrupt asserted

6 Function Configuration

The CPU initializes this time function by the following:

1. Writing CHANNEL_CONTROL:
 - a) The pin should be configured as input, rising-edge detect, and
 - b) TCR1 should be used for compare and capture;
2. Writing parameters MAX_MISSING, TCR2_MAX_VALUE, NUM_OF_TEETH, and RATIO to parameter RAM;
3. Writing host sequence bits 10 or 11 according to the bank or count mode desired;
4. Issuing an HSR %01 for initialization; and
5. Enabling channel servicing by assigning a high, middle, or low priority.

The TPU then executes initialization. The CPU should monitor the HSR register until the TPU clears the service request to 00 before changing any parameters or before issuing a new service request to this channel. If PMM is used with channels executing PSP, the PMM channel should be initialized and enabled at the same time as or before the PSP channels.

7 Performance and Use of Function

7.1 Performance

Like all TPU functions, PMM function performance in an application is to some extent dependent upon the service time (latency) of other active TPU channels. This is due to the operational nature of the scheduler. The more TPU channels are active, the more performance decreases. Worst-case latency in any TPU application can be closely estimated. To analyze the performance of an application that appears to approach the limits of the TPU, use the guidelines given in the TPU reference manual and the information in the following table.

Table 2 PMM State Timing

State Name	Clock Cycles	RAM Accesses
S1 <i>Init</i>	16	3
S2 <i>Measure_Period</i>		
No error	58	7
Error	80	10
S3 <i>Missing_Trans</i>		
Normal transitions only	94	8
Missing transitions only — bank mode	38	4
Missing transitions only — count mode	42	5
Missing tooth and transitions detected (error condition)	32	5

7.2 Changing Mode

The host sequence bits are used to select PMM function operating mode. Change host sequence bit values only when the function is stopped or disabled (channel priority bits = %00). Disabling the channel before changing mode avoids conditions that cause indeterminate operation.

8 Function Examples

8.1 Example A

8.1.1 Description

This program is a demonstration of how to use the ITC, PMM, and PSP functions together to generate an output pulse in relation to a “missing tooth”. The program could be part of an angle-based automotive engine control system. A typical system is shown in **Figure 8**.

As shown in **Figure 8**, in a typical automotive engine the camshaft works together with the flywheel to determine the timing for the ignition firing points and fuel-injection pulses. Both the camshaft and the flywheel have reference points in the form of missing or additional teeth. The PMM/PMA functions detect these reference points; the PMM function detects missing teeth, and the PMA function detects additional teeth. This example uses the PMM function to detect missing teeth.

The PMM function has two modes: count mode and bank mode. In count mode, timer TCR2 is reset to \$FFFF after the number of missing transitions in MAX_MISSING has been counted. In bank mode, timer TCR2 is reset to \$FFFF after a missing transition has been counted only if BANK_SIGNAL is a non-zero value. This example uses bank mode.

In order to use the bank mode, either the CPU or another time function must increment the parameter BANK_SIGNAL. This example uses the ITC function on another channel to increment BANK_SIGNAL.

In this example, the PMM function is also used in conjunction with the PSP function. The PMM function determines when the missing tooth occurs, and the PSP function waits a programmable amount of time before it generates an output pulse. The PSP function has two operating modes: angle-angle and angle-time. The function generates the output pulse based on the following parameters: RATIO1, RATIO2, ANGLE1, ANGLE2, and HIGH_TIME. RATIO1 and RATIO2 are 8-bit numbers that represent a decimal multiplier of the period that can range from 0 to 1.99. ANGLE1 and ANGLE2 represent reference angles. A reference angle is simply a tooth number. The teeth are numbered starting with 0 after the last missing transition. HIGH_TIME specifies the time duration of the output pulse in angle-time mode. This example uses the angle-time mode, illustrated in **Figure 7**.

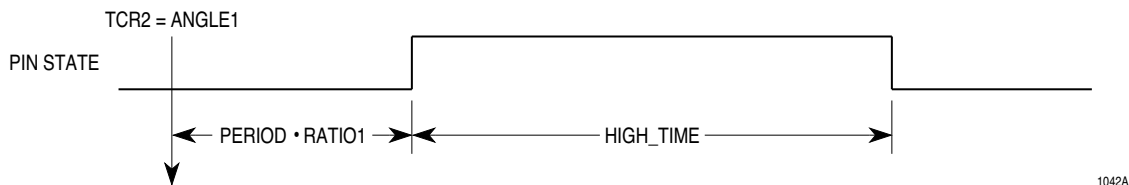
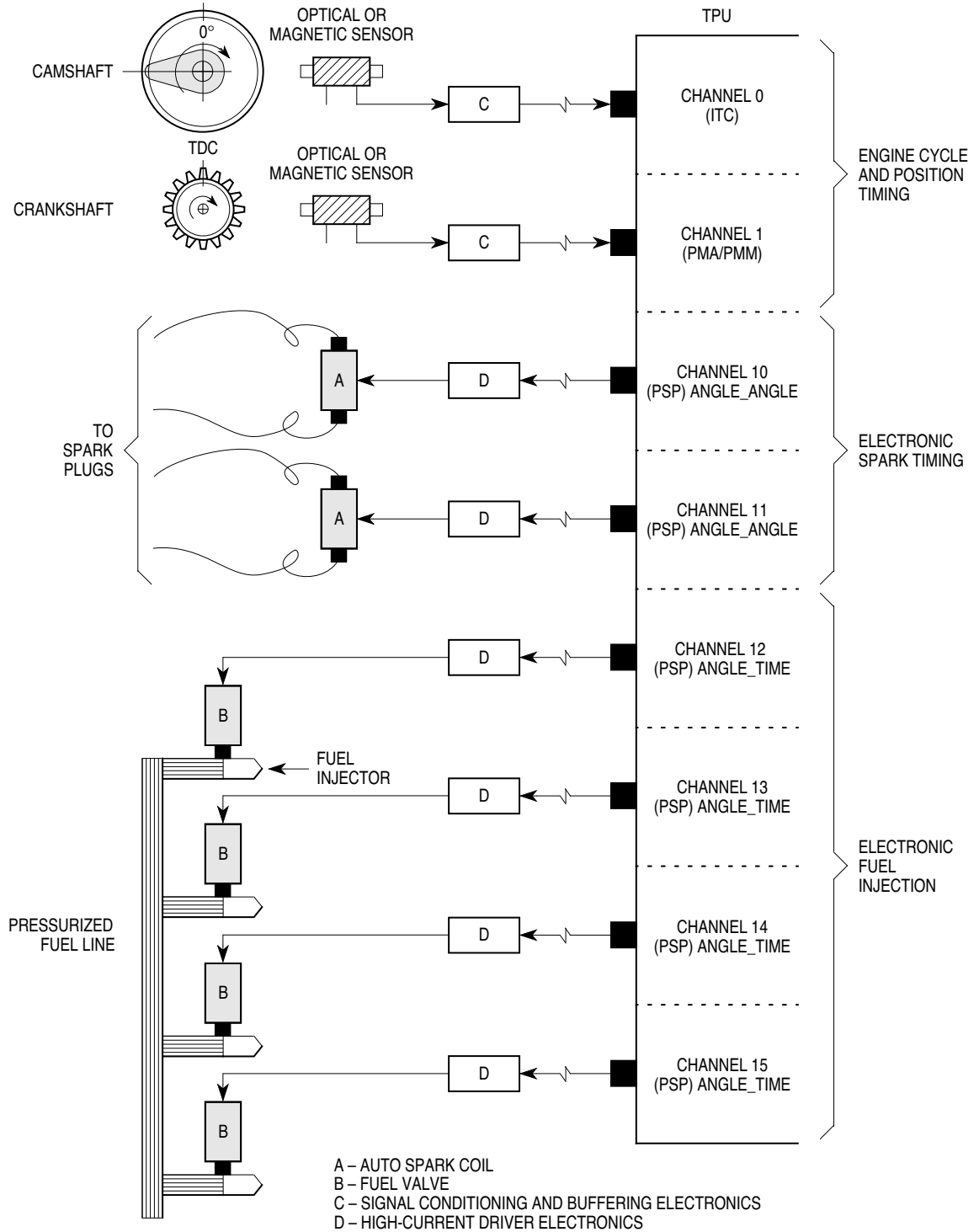


Figure 7 Angle-Time Mode



1008A

Figure 8 Engine Control Example A

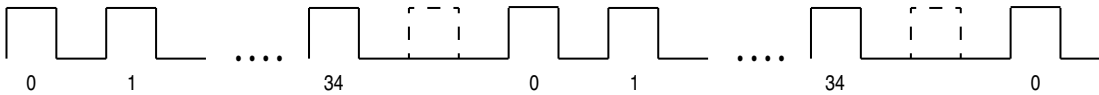
8.1.2 Hardware Setup

This example requires two input pulse trains. The input to the TCR2 clock pin and the TPU channel executing the PMM function is a series of pulses with missing transitions. This pulse train is from a flywheel in an automobile engine. In this example, the flywheel has 35 teeth and one missing tooth (36 evenly-spaced tooth-positions total). The flywheel rotates twice for every one rotation of the camshaft. When the flywheel rotates to top dead center and reaches a missing tooth, the engine compresses and fires the spark plugs. After the flywheel makes a second revolution and the camshaft finishes making its first full rotation, the missing tooth is reached again. This time, the engine releases exhaust. The cycle repeats. Thus, the 35 tooth flywheel with one missing tooth behaves the same as a 70 tooth flywheel with two missing teeth. The reference points on the camshaft keep track of which half of the cycle is currently taking place.

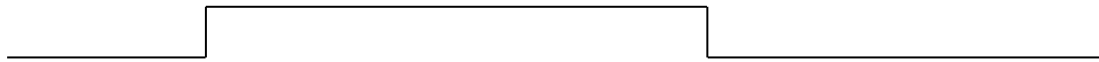
The input pulse train to the channel executing the ITC function consists of high and low transitions from the camshaft. During one missing tooth, this pulse is low, and during the next missing tooth, the pulse is high. This pulse causes BANK_SIGNAL to increment from zero to one during every other missing tooth.

See **Figure 9** for an illustration of the two input waveforms.

FLYWHEEL INPUT TO PMM CHANNEL AND T2CLK



CAMSHAFT INPUT TO ITC CHANNEL



TPU PMM EXA TIM

Figure 9 Input Waveforms for Example A

The TPU is set up with the functions needed to generate the PSP output pulse: the ITC function on channel 3, the PMM function on channel 4, and the PSP function on channel 5. The ITC function on channel 3 is connected to the camshaft. It is set up so that each time it detects a rising transition, it increments the PMM parameter BANK_SIGNAL, thus forcing it to a non-zero value to allow timer TCR2 to reset to \$FFFF. The PMM function on channel 4 is connected to the flywheel to detect missing teeth. The PSP function is not physically connected to any of the other channels, but its parameter PERIOD_ADDRESS points to the PMM parameter PERIOD_LOW_WORD. In addition, the TCR2 clock input is connected to the flywheel. See **Figure 10** for an illustration of the hardware setup.

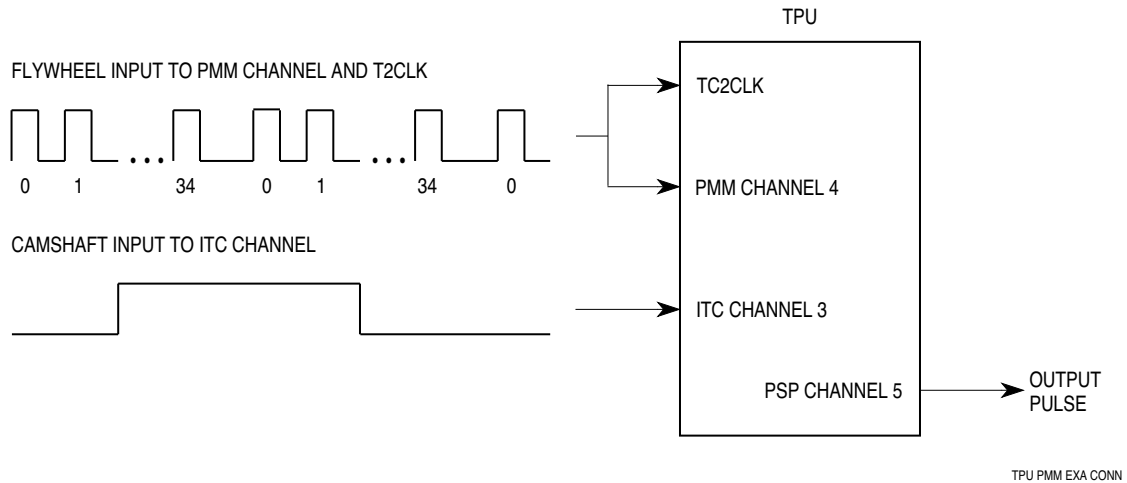


Figure 10 Hardware Setup for Example A

8.1.3 Software Initialization

This program is a demonstration of how to use the PMM and PSP functions together to generate an output pulse in relation to a “missing tooth.” In this case, the input pulse train to the PMM channel and T2CLK is a series of 35 pulses followed by a 36th missing transition. The input pulse to the ITC channel is high during every other missing tooth. The ITC channel forces the parameter BANK_SIGNAL to a non-zero value during every second rotation of the fly wheel. The PSP function uses the angle-time mode.

Set up channel 3 as ITC counting rising edges from the camshaft. Set up channel 4 as PMM detecting missing teeth. Set up channel 5 in PSP angle-time mode. The pulse generated will look similar to the illustration of channel 4 in **Figure 1**.

For the ITC channel, the host sequence field bits are %01, continual mode with no links. The parameter MAX_COUNT is set to one. On every rising edge, the parameter TRANS_COUNT will count one edge. When this happens, the TPU will reset TRANS_COUNT to zero and increment the high byte of the RAM location pointed to by BANK_ADDRESS. In this case, that RAM location is BANK_SIGNAL for the PMM function.

The host sequence field bits for the PMM channel using missing tooth bank mode are %10. When the PMM function operates in bank mode, TCR2 will not reset to \$FFFF when a missing tooth is reached unless the parameter BANK_SIGNAL is set to a non-zero value.

8.2 Program Code for CPU32-Based Microcontrollers

This program was assembled using the IASM32 assembler available from P&E Microcomputer Systems with the M68332 In-Circuit Debugger. It was run on an M68332EVS and BCC.

```

TPUMCR equ    $fffe00
TICR    equ    $fffe08
CIER    equ    $fffe0a
CFSR0   equ    $fffe0c
CFSR1   equ    $fffe0e
CFSR2   equ    $fffe10
CFSR3   equ    $fffe12
HSQR0   equ    $fffe14
HSQR1   equ    $fffe16
HSRR0   equ    $fffe18
HSRR1   equ    $fffe1a
    
```

```

CPR0      equ      $ffffe1c
CPR1      equ      $ffffe1e
CISR      equ      $ffffe20
ERROR     equ      $ffffffc
PRAM3_0   equ      $fffff30
PRAM3_1   equ      $fffff32
PRAM3_2   equ      $fffff34
PRAM3_3   equ      $fffff36
PRAM3_4   equ      $fffff38
PRAM3_5   equ      $fffff3a
PRAM4_0   equ      $fffff40
PRAM4_1   equ      $fffff42
PRAM4_2   equ      $fffff44
PRAM4_3   equ      $fffff46
PRAM4_4   equ      $fffff48
PRAM4_5   equ      $fffff4a
PRAM5_0   equ      $fffff50
PRAM5_1   equ      $fffff52
PRAM5_2   equ      $fffff54
PRAM5_3   equ      $fffff56
PRAM5_4   equ      $fffff58
PRAM5_5   equ      $fffff5a
org        $4000                                ;begin program at location $4000
move.w    #$0000,d5                             ;d5 initialized to zero
move.w    #$a000,(CFSR3).l                      ;Function select field: ITC channel 3, PMM channel 4, PSP
move.w    #$00cb,(CFSR2).l                      ;channel 5 (NOTE: function numbers may vary for
                                                ;different mask sets)
move.w    #$0640,(HSQR1).l                     ;Host Sequence field
move.w    #$fc0,(CPR1).l                       ;Channel priority field: high priority to all channels
    
```

8.2.1 ITC Initialization for Channel 3

```

move.w    #$0007,(PRAM3_0).l ;Channel control, detect rising edge, use TCR1
move.w    #$44,(PRAM3_1).l   ;BANK_ADDRESS points to PMM BANK_SIGNAL
move.w    #$01,(PRAM3_2).l   ;MAX_COUNT = 1
    
```

8.2.2 PMM Initialization for Channel 4

MAX_MISSING is a don't care value since the program uses bank mode.

NUM_OF_TEETH is the number that is compared to the current TCR2 count in TCR2_VALUE when a missing tooth is detected. These numbers must match or an error code will appear in ERROR. The program changes NUM_OF_TEETH each time a tooth is detected. Since the TPU begins counting with zero instead of one, NUM_OF_TEETH is first set to 34 instead of 35. NUM_OF_TEETH thus alternates between 34 and 69 at each missing tooth.

RATIO is multiplied by the previous period to form the lower bound of time in which a normal transition must occur. The upper bound is limited by the requirement that 1) a match on the interval PERIOD * RATIO must occur to detect that a transition was missed, and 2) channel service must complete for TCR2 to be reset to \$FFFF. All actions must complete before the next normal transition, which causes TCR2 to increment to \$0000. Therefore, the range of RATIO is \$80 to \$FF (1.0₁₀ to 1.99₁₀). In this case, \$A0 is used.

TCR2_MAX_VALUE contains the maximum permissible value of TCR2. If a missing transition goes undetected and TCR2 continues incrementing past TCR2_MAX_VALUE then the error code \$80 is set in ERROR, and BANK_SIGNAL is cleared to zero. Since the maximum number of teeth to be counted before TCR2 is reset is 70, and the TPU begins numbering with zero, set TCR2_MAX_VALUE to 69.

On the first revolution of the flywheel, 34 teeth are counted. The next tooth is missing, causing an interrupt. The tooth count is compared to NUM_OF_TEETH. If the two are equal and BANK_SIGNAL = 0, counting continues. NUM_OF_TEETH is written to 69, which is the number of teeth that would occur in two revolutions. After the second revolution of the flywheel, when the second missing tooth is encountered, the tooth count is compared to NUM_OF_TEETH. If the two are equal and BANK_SIGNAL = 1, then TOOTH_COUNT is set to \$FF, and the CPU writes NUM_OF_TEETH to 34.

Since the NUM_OF_TEETH parameter alternates between 34 and 69, interrupt the program each time a missing transition is detected. Start the interrupt routine at the label INT by storing the address of INT in the appropriate vector address location. For this example, the base vector number \$80 is chosen. This number is stored in the TCR register. The actual interrupt vector number is calculated by concatenating the channel number with the base vector number. Thus, the interrupt vector number is \$84, since channel 4 is used. The vector address (where the starting address of the interrupt routine is stored) is calculated as 4 times the vector number plus the value in the vector base register. In this case, since this program was developed on the M68332 BCC, the vector base register is initialized to \$400 by CPU32Bug. Therefore, the vector address is $4 * \$84 + \400 , which equals \$610.

The interrupt level must be set to a non-zero value in the TCR. The interrupt level chosen determines the priority given to this interrupt by the CPU. Level 7 is the highest priority, and level 1 is the lowest. This example uses level 6. Once an interrupt level has been chosen, bits [10:8] in the CPU status register must be modified to allow recognition of that level interrupt. These bits must be set to a number that is lower than the interrupt level number. Interrupts at the same level or lower than the number in the CPU status register will be masked out and will not be recognized by the CPU. In addition, the interrupt arbitration (IARB) field in the TPUMCR must be set to a non-zero value between \$0 and \$F. Otherwise, a spurious interrupt may occur. If two or more interrupts on the same level request an interrupt at the same time, the IARB value determines which interrupt will be recognized first.

```

move.w  #$0004,(PRAM4_0).l ;Channel control, detect rising edge
move.w  #$0022,(PRAM4_1).l ;NUM_OF_TEETH=34
move.w  #$a045,(PRAM4_3).l ;RATIO=a0, TCR2_MAX_VALUE
move.w  (CISR).l,d0        ;clear all TPU interrupt requests
move.w  #$0000,(CISR).l
move.l  #INT,($0610).l    ;start interrupt routine at INT
ori.w   #$0005,(TPUMCR).l ;set IARB field
move.w  #$0680,(TCR).l   ;interrupt level 6, base vector=$80
andi.w  #$f5ff,SR        ;allow interrupts on level 6 and above
                                ;assuming reset values in SR

```

8.2.3 PSP Initialization for Channel 5 in Angle-Time Mode

Since the PSP is initialized in angle-time mode, the parameters that form the output pulse are determined as follows:

1. The hightime is specified in HIGH_TIME. For this example, it is \$100.
2. The rising edge is determined by three parameters: ANGLE1, RATIO1, and PERIOD_ADDRESS. ANGLE1 is a TCR2 tooth number. Remember that teeth are numbered starting with zero after the missing transition. PERIOD_ADDRESS points to the PMM parameter PERIOD_LOW_WORD, which contains the period of the input to TCR2. RATIO1 is an 8-bit multiplier that ranges from \$00 to \$FF (0 to 1.99). The rising edge of the output waveform is offset from $TCR2 = ANGLE1$ by $PERIOD * RATIO1$.
3. The falling edge occurs at the end of HIGH_TIME.

```

move.w  #$4a01,(PRAM5_0).l ;period address points to period
                                ;low word of PMM, Channel control
                                ;is a don't care value
move.w  #$b001,(PRAM5_4).l ;RATIO1 = $b0, ANGLE1 = 01
move.w  #$100,(PRAM5_5).l  ;HIGH_TIME = $100
start   move.w  #$940,(HSRR1).l ;Host service request for ch 3, 4, and 5
move.w  #$0010,(CIER).l   ;enable interrupt for channel 4
finish  bra     finish

```

8.2.4 Interrupt Handling Routine for PMM

The processor will be interrupted each time a missing tooth is detected. The interrupt routine alternates NUM_OF_TEETH between 34 and 69. Because the processor does not know at which tooth it starts counting, it takes a few interrupts (typically about four) to achieve synchronization. Until synchronization is achieved, an error code will appear in ERROR at each interrupt. Thus, until ERROR clears for the first time, keep NUM_OF_TEETH at 34. Then, each time an interrupt is received thereafter, alternate NUM_OF_TEETH between 34 and 69.


```

INT    andi.w  #$ffef,(CIER).l    ;disable interrupt in CIER
       move.w (CISR).l,d6        ;read interrupt
       andi.w  #$ffef,(CISR).l    ;clear interrupt
       cmpi.w  #$01,d5           ;see if synchronization has been achieved
       beq     sync              ;if so, change NUM_OF_TEETH
       move.w  (ERROR).l,d1       ;check to see if the error bits are clear
       cmpi.w  #$0022,d1         ;
       beq     sync              ;if they are clear, alternate NUM_OF_TEETH
       move.w  #$00ff,(ERROR).l   ;if not, clear error bits
       move.w  #$0010,(CIER).l    ;enable interrupt and return
       RTE

sync   move.w  (PRAM4_1).l,d6      ;if error bits clear, check value
       ;of NUM_OF_TEETH
       cmpi.w  #$0022,d6         ;if NUM_OF_TEETH is 34, change to 69
       bne     not34            ;if NUM_OF_TEETH is 69, jump to not34
       move.w  #$0045,(PRAM4_1).l
       bra     dnch

not34  move.w  #$0022,(PRAM4_1).l ;if NUM_OF_TEETH is 69, change to 34
dnch   move.w  #$0010,(CIER).l    ;enable interrupt and return flag that
       move.w  #$01,d5           ;synchronization has been reached
       RTE
    
```

8.3 Program Code for CPU16-Based Microcontrollers

This program was assembled on the IASM16 Assembler available with the ICD16 In-Circuit Debugger from P&E Microcomputer Systems and was run on an MC68HC16Y1EVb.

```

TPUMCR equ    $fe00
TICR   equ    $fe08
CIER   equ    $fe0a
CFSR0  equ    $fe0c
CFSR1  equ    $fe0e
CFSR2  equ    $fe10
CFSR3  equ    $fe12
HSQR0  equ    $fe14
HSQR1  equ    $fe16
HSRR0  equ    $fe18
HSRR1  equ    $fe1a
CPR0   equ    $felc
CPR1   equ    $fe1e
CISR   equ    $fe20
ERROR  equ    $fffc
PRAM3_0 equ    $ff30
PRAM3_1 equ    $ff32
PRAM3_2 equ    $ff34
PRAM3_3 equ    $ff36
PRAM3_4 equ    $ff38
PRAM3_5 equ    $ff3a
PRAM4_0 equ    $ff40
PRAM4_1 equ    $ff42
PRAM4_2 equ    $ff44
PRAM4_3 equ    $ff46
PRAM4_4 equ    $ff48
PRAM4_5 equ    $ff4a
PRAM5_0 equ    $ff50
PRAM5_1 equ    $ff52
PRAM5_2 equ    $ff54
PRAM5_3 equ    $fff6
PRAM5_4 equ    $fff8
PRAM5_5 equ    $fff5a
    
```

8.3.1 Initialization

The following code is included to set up the reset vector (\$00000 – \$00006). It may be changed for different systems.

```

ORG      $0000          ;put the following reset vector information
                        ;at address $00000 of the memory map
DW       $0000          ;zk=0, sk=0, pk=0
DW       $0200          ;pc=200 -- initial program counter
DW       $3000          ;sp=3000 -- initial stack pointer
DW       $0000          ;iz=0 -- direct page pointer
org      $0400          ;begin program at memory location $0400

```

The following code initializes and configures the system; including the software watchdog and system clock. It was written to be used with an EVB.

```

INITSYS:                ;give initial values for extension registers
                        ;and initialize system clock and COP

LDAB     #$0F
TBEK
LDAB     #$00           ;point EK to bank F for register access
TBXK
TBYK
TBZK
TBSK
LDD      #$0003        ;at reset, the CSBOOT block size is 512K.
STD      CSBARBT       ;this line sets the block size to 64K since that is what
                        ;physically comes with the EVB16
LDAA     #$7F          ;w=0, x=1, y=111111
STAA    SYNCR          ;set system clock to 16.78 MHz
CLR      SYPCR         ;turn software watchdog off, since it is on after reset
lds      #$f000
**** MAIN PROGRAM ****
ldab    #$0f           ;parameter RAM use bank $f
tbek
clrb
tbzk
ldz     #$0000        ;use IZ for indexed offset
clre    ;Accumulator E initialized to zero
ldd     #$a000
std     CFSR3         ;Function select field: ITC channel 3,
ldd     #$00cb        ;PMM channel 4, PSP channel 5 (NOTE: function numbers
std     CFSR2         ;may vary for different mask sets)
ldd     #$0640
std     HSQR1         ;Host Sequence field
ldd     #$fc0
std     CPR1          ;Channel priority field: high priority to all channels

```

8.3.2 ITC Initialization for Channel 3

```

ldd     #$0007
std     PRAM3_0       ;Channel control, detect rising edge and use TCR1
ldd     #$44
std     PRAM3_1       ;BANK_ADDRESS points to BANK_SIGNAL
ldd     #$01
std     PRAM3_2       ;MAX_COUNT = 1

```

8.3.3 PMM Initialization for Channel 4

MAX_MISSING is a don't care value since the program uses bank mode.

NUM_OF_TEETH is the number that is compared to the current TCR2 count in TCR2_VALUE when a missing tooth is detected. These numbers must match or else an error code will appear in ERROR. The program will change NUM_OF_TEETH at each missing tooth. Since the TPU begins counting with zero instead of one, NUM_OF_TEETH is first set to 34 instead of 35.

RATIO is multiplied by the previous period to form the lower bound of time in which a normal transition must occur. The upper bound is limited by the requirement that 1) a match on the interval PERIOD * RATIO must occur to detect that a transition was missed, and 2) channel service must complete for TCR2 to be reset to \$FFFF. All actions must complete before the next normal transition, which causes TCR2 to increment to \$0000. Therefore, the range of RATIO is \$80 to \$FF (1.0₁₀ to 1.99₁₀).

TCR2_MAX_VALUE contains the maximum permissible value of TCR2. If a missing transition goes undetected and TCR2 continues incrementing past TCR2_MAX_VALUE then the error code \$80 is set in ERROR, and BANK_SIGNAL is cleared to zero. Since the maximum number of teeth to be counted before TCR2 is reset is 70 and the TPU begins numbering with zero, set TCR2_MAX_VALUE to 69.

On the first revolution of the flywheel, 34 teeth are counted. The next tooth is missing, causing an interrupt. The tooth count is compared to NUM_OF_TEETH. If the two are equal and BANK_SIGNAL = 0, counting continues. NUM_OF_TEETH is written to 69, which is the number of teeth that would occur in two revolutions. After the second revolution, when the second missing tooth is encountered, the tooth count is compared to NUM_OF_TEETH. If the two are equal and BANK_SIGNAL = 1, then TOOTH_COUNT is set to \$FF, and the CPU writes NUM_OF_TEETH to 34.

Since the NUM_OF_TEETH parameter alternates between 34 and 69, interrupt the program each time a missing transition is detected. Start the interrupt routine at the label INT by storing the address of INT in the appropriate vector address location. For this example, the base vector number \$80 is chosen. This number is stored in the TICR register. The actual interrupt vector number is calculated by concatenating the channel number with the base vector number. Thus, the interrupt vector number is \$84, since channel 4 is being used. The vector address (where the starting address of the interrupt routine is stored) is calculated as two times the vector number, so the vector address is 2 * \$84, which is equal to \$108.

The interrupt level must be set to a non-zero value in the TICR. The interrupt level chosen determines the priority given to this interrupt. Level 7 is the highest priority, and level 1 is the lowest. This example uses level 6. Once an interrupt level has been chosen, bits [7:5] in the CPU status register must be modified to allow recognition of that level interrupt. These bits must be set to a number that is lower than the interrupt level number. Interrupts at the same level or lower than the number in the CPU status register will be masked out and will not be recognized by the CPU. In addition, the interrupt arbitration (IARB) field in the TPUMCR must be set to a non-zero value between \$0 and \$F. Otherwise, a spurious interrupt may occur. If two or more interrupts on the same level request an interrupt at the same time, the IARB value determines which interrupt will be recognized first.

```

ldd    #$0004
std    PRAM4_0           ;Channel control, detect rising edge
ldd    #$0022
std    PRAM4_1           ;NUM_OF_TEETH=34
ldd    #$a045
std    PRAM4_3           ;RATIO=a0, TCR2_MAX_VALUE
ldd    CISR              ;clear all TPU interrupt requests
clr    CISR
ldd    #INT
std    $0108,z          ;start interrupt routine at INT
ldd    TPUMCR
ord    #$0005           ;set IARB field
std    TPUMCR
ldd    #$0680
std    TICR              ;interrupt level 6, base vector=$80
andp   #$ffaF          ;allow interrupts on level 6 and above
                        ;assuming reset values in CCR

```

8.3.4 PSP Initialization for Channel 5 in Angle-Time Mode

Since the PSP is initialized in angle-time mode, the parameters that form the output pulse are determined as follows:

1. The hightime is specified in HIGH_TIME. For this example, it is \$100.
2. The rising edge is determined by the parameters ANGLE1, RATIO1, and PERIOD_ADDRESS. ANGLE1 is a TCR2 tooth number. Remember that teeth are numbered starting with zero after the missing transition. PERIOD_ADDRESS points to parameter PERIOD_LOW_WORD, which is a PMM parameter containing the period of the input to TCR2. RATIO1 is an 8-bit multiplier that ranges from \$00 to \$FF (0₁₀ to 1.99₁₀). The rising edge of the output waveform is offset from TCR2 = ANGLE1 by PERIOD * RATIO1.

3. The falling edge occurs at the end of HIGH_TIME.

```

ldd    #$4a01
std    PRAM5_0           ;period address points to period low word
                           ;of PMM, Channel control is a don't care value

ldd    #$b001
std    PRAM5_4           ;RATIO1 = $b0, ANGLE1 = 01
ldd    #$100
std    PRAM5_5           ;HIGH_TIME = $100
start  ldd    #$940
std    HSRR1             ;Host service request for ch 3, 4, and 5
ldd    #$0010
std    CIER              ;enable interrupt for channel 4
finish bra    finish

```

8.3.5 Interrupt Handling Routine for PMM

The processor will be interrupted each time a missing tooth is detected. The interrupt routine alternates NUM_OF_TEETH between 34 and 69. Because the processor does not know at which tooth it starts counting, it takes a few interrupts (typically about four) to achieve synchronization. Until synchronization is achieved, an error code will appear in ERROR at each interrupt. Thus, until ERROR clears for the first time and 34 teeth have been counted, keep NUM_OF_TEETH at 34. Then, each time an interrupt is received thereafter, alternate NUM_OF_TEETH between 34 and 69.

```

INT    ldd    CIER
andd   #$ffef
std    CIER              ;disable interrupt in CIER
ldd    CISR              ;read interrupt
andd   #$ffef
std    CISR              ;clear interrupt
tste   ;see if synchronization has been achieved
bne    sync             ;if so, change NUM_OF_TEETH
ldd    ERROR            ;check to see if the error bits are clear
cpd    #$0022           ;and 34 teeth have been counted
beq    sync             ;if synchronization has been achieved, alternate
ldd    #$00ff           ;NUM_OF_TEETH
std    ERROR            ;if not, clear error bits
ldd    #$0010
std    CIER              ;enable interrupt and return
RTI

sync   ldd    PRAM4_1    ;if error bits clear, check value of NUM_OF_TEETH
cpd    #$0022           ;if NUM_OF_TEETH is 34, change to 69
bne    not34           ;if NUM_OF_TEETH is 69, jump to not34
ldd    #$0045
std    PRAM4_1
bra    dnch

not34  ldd    #$0022
std    PRAM4_1         ;if NUM_OF_TEETH is 69, change to 34
dnch   ldd    #$0010
std    CIER            ;enable interrupt and return
lde    #$01            ;flag that synchronization has been reached
RTI

```

8.4 Example B

8.4.1 Description

This example uses the PMM function in count mode. It produces an output pulse on the PSP channel after every missing tooth. To wait for two or more teeth to pass before producing an output pulse, NUM_OF_TEETH must be changed in an interrupt routine such as was done in Example A.

In count mode, the input DIO channel is not needed, nor is the ITC channel that changes BANK_ADDRESS between one and zero. TCR2 will automatically reset to \$FFFF at each missing tooth and generate an output pulse because MISSING_COUNT will match MAX_MISSING.

8.4.2 Hardware Setup

This example requires one input pulse train. The input to the TCR2 clock pin and the TPU channel executing the PMM function is a series of pulses with missing transitions. This pulse train is from a flywheel in an automobile engine. In this example, the flywheel has 35 teeth and one missing tooth (36 evenly-spaced tooth-positions total).

See the first waveform in **Figure 9** for an illustration of this one input waveform.

The TPU is set up with the functions needed to generate the PSP output pulse: the PMM function on channel 4 and the PSP function on channel 5. Channel 4 is connected to the flywheel to detect missing teeth. The TCR2 clock input is also connected to the flywheel. Channel 5 is not physically connected to any of the other channels, but its parameter PERIOD_ADDRESS points to the PMM parameter PERIOD_LOW_WORD. See **Figure 11** for an illustration of the hardware setup.

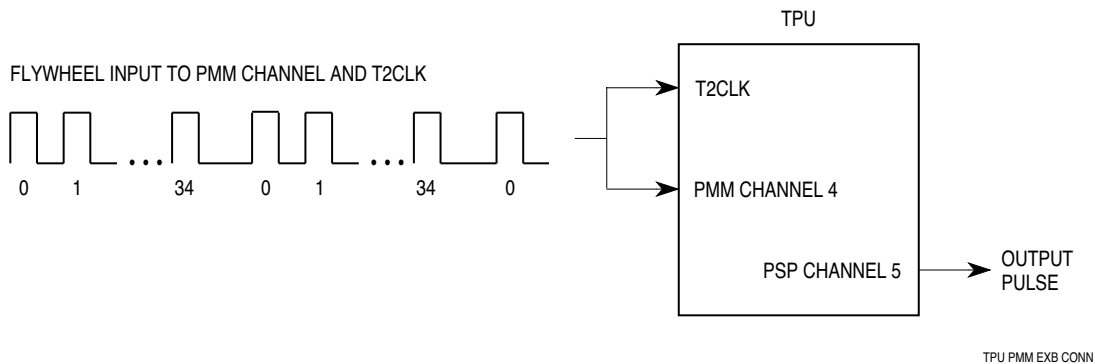


Figure 11 Example B Hardware Setup

8.4.3 Software Initialization

Set up channel 4 as PMM, detecting missing teeth. Set up channel 5 in PSP angle-angle mode. The pulse generated will look like that shown on channel one in **Figure 1**.

The host sequence field bits for PMM missing tooth count mode are %11. When the PMM function operates in count mode and MISSING_COUNT equals one, TCR2 resets to \$FFFF at each missing tooth. The interrupt routine from Example A is not needed since a PSP output pulse is generated after every missing tooth, and the NUM_OF_TEETH remains constant.

8.5 Program Code for CPU32-Based Microcontrollers

This program was assembled using the IASM32 assembler available from P&E Microcomputer Systems with the M68332 In-Circuit Debugger. It was run on an M68332EVS and BCC.

For this example, use the same EQU statements as in Example A.

Set up channel 4 in PMM count mode, counting missing teeth.

Set up channel 5 in PSP angle-angle mode.

```

org      $4000                ;begin program at location $4000
move.w  #$00cb,(CF SR2).l    ;function select field (NOTE: function numbers may vary
                             ;for different mask sets)
move.w  #$0300,(HSQR1).l    ;PSP in angle-angle mode
move.w  #$f00,(CPR1).l      ;high priority to both channels
    
```

8.5.1 PMM Initialization for Channel 4

```

move.w  #$0004,(PRAM4_0).l ;Channel Control, detect rising edge
move.w  #$0122,(PRAM4_1).l ;MAX_MISSING = 1, NUM_OF_TEETH = 34
move.w  #$a022,(PRAM4_3).l ;RATIO = $a0, MAX_VALUE = 34

```

8.5.2 PSP Initialization for Channel 5

```

move.w  #$4a01,(PRAM5_0).l ;PERIOD_ADDRESS points to PERIOD_LOW_WORD of PMM,
                                ;Channel Control is a don't care value
move.w  #$3001,(PRAM5_4).l ;RATIO1 = $30, ANGLE1 = $01
move.w  #$5002,(PRAM5_5).l ;RATIO2 = $50, ANGLE2 = $02
start   move.w  #$900,(HSRR1).l ;host service request for channels 4 and 5
finish  bra     finish

```

8.6 Program Code for CPU16-Based Microcontrollers

This program was assembled on the IASM16 Assembler available with the ICD16 In-Circuit Debugger from P&E Microcomputer Systems and was run on an MC68HC16Y1EVB.

Set up channel 4 in PMM count mode, counting missing teeth.

Set up channel 5 in PSP angle-angle mode

8.6.1 Initialization

The following code is included to set up the reset vector (\$00000 – \$00006). It may be changed for different systems.

```

ORG     $0000                ;put the following reset vector information
                                ;at address $00000 of the memory map
DW      $0000                ;zk=0, sk=0, pk=0
DW      $0200                ;pc=200 -- initial program counter
DW      $3000                ;sp=3000 -- initial stack pointer
DW      $0000                ;iz=0 -- direct page pointer
org     $0400                ;begin program at memory location $0400

```

The following code initializes and configures the system; including the software watchdog and system clock. It was written to be used with an EVB.

```

INITSYS:                       ;give initial values for extension registers
                                ;and initialize system clock and COP
LDAB   #$0F                    ;point EK to bank F for register access
TBEK
LDAB   #$00
TBXK   ;point XK to bank 0
TBYK   ;point YK to bank 0
TBZK   ;point ZK to bank 0
TBSK
LDD    #$0003                  ;at reset, the CSBOOT block size is 512K.
STD    CSBARBT                ;this line sets the block size to 64K since that is what
                                ;physically comes with the EVB16
LDAA   #$7F                    ;w=0, x=1, y=111111
STAA   SYNCR                   ;set system clock to 16.78 MHz
CLR    SYPCR                   ;turn software watchdog off, since it is on after reset
lds    #$f000
**** MAIN PROGRAM ****
ldab   #$0f                    ;point to bank $0f for parameter RAM
tbek
ldd    #$00cb                  ;function select field (NOTE: function numbers may vary
                                ;for different mask sets)
ldd    #$0300                  ;PSP in angle-angle mode
std    HSQR1
ldd    #$f00
std    CPR1                    ;high priority to both channels

```

8.6.2 PMM Initialization for Channel 4

```

ldd    #$0004
std    PRAM4_0           ;Channel Control, detect rising edge
ldd    #$0122
std    PRAM4_1           ;MAX_MISSING = 1, NUM_OF_TEETH = 34
ldd    #$a022
std    PRAM4_3           ;RATIO = $a0, MAX_VALUE = 34

```

8.6.3 PSP Initialization for Channel 5

```

ldd    #$4a01
std    PRAM5_0           ;PERIOD_ADDRESS points to
                                ;PERIOD_LOW_WORD of PMM,
                                ;Channel Control is a don't care value

ldd    #$3001
std    PRAM5_4           ;RATIO1 = $30, ANGLE1 = $01
ldd    #$5002
std    PRAM5_5           ;RATIO2 = $50, ANGLE2 = $02
start  ldd    #$900
std    HSRR1             ;host service request for channels 4 and 5
finish bra    finish

```

9 Function Algorithm

The PMM function consists of three states, which are described in the following paragraphs. The following description is provided as a guide only, to aid understanding of the function. The exact sequence of operations in microcode may be different from that shown, in order to optimize speed and code size. TPU microcode source listings for all functions in the TPU function library can be downloaded from the Motorola Freeware bulletin board. Refer to *Using the TPU Function Library and TPU Emulation Mode (TPUPN00/D)* for detailed instructions on downloading and compiling microcode.

9.1 State 1: *Init*

Condition: HSR1, HSR0, M/TSR, LSR, Pin, Flag0 = 01xxxx.

Match Enable: Don't Care

Summary:

This state is entered as a result of HSR %01. The channel is configured to detect a specified transition at the pin and the particular time base to be used for match and input capture events. (In general, TCR1 should be used for both types of events.)

TCR2 and TCR2_VALUE are both set to \$C0FF (a previous period longer than \$FFFF is assumed). ROLLOVER_COUNT is set to \$80 (a long previous period is assumed).

Algorithm:

```

Configure channel latches via CHANNEL_CONTROL
Negate flag0; Negate flag1
ROLLOVER_COUNT = $80
/* a longer then $FFFF previous period is set */

TCR2 = $C0FF
TCR2_VALUE = $C0FF
MISSING_COUNT = 0

```

9.2 State 2: *Measure_Period*

Condition: HSR1, HSR0, M/TSR, LSR, Pin, Flag0 = 001xx0.

Match Enable: Don't Care

Summary:

This state is entered as a result of a match or a normal transition detection, when flag0 equals zero. If a match occurred, ROLLOVER_COUNT is incremented. If a transition occurred, PERIOD is updated and TCR2_VALUE low byte (TEETH_COUNT) is incremented.

If the current value of TCR2 exceeds TCR2_MAX_VALUE, indicating an error condition, then TCR2 is set to \$80FF, and the high byte of TCR2_VALUE is set to \$80. A search for the missing transition is initiated if the measured period is less than or equal to \$FFFF TCR1 counts; if the period is greater, TCR2 is set to \$C0FF and the high byte of TCR2_VALUE is set to \$C0. In either error condition, an interrupt is asserted to the CPU.

Algorithm:

```

    If MRL = 1 then {
INCR_ROLLOVER:                                     /* address label */
        If ROLLOVER_COUNT ≠ $FF then {
            ROLLOVER_COUNT = ROLLOVER_COUNT + 1
        }
        If (TDL = 0) then {
            If ((flag1 = 1) & (ROLLOVER_COUNT > 3)) OR ((flag1 = 0) & (ROLLOVER_COUNT > 1)) then {
                If (TCR2_VALUE(15) = 0) then {
                                                            /* issue period error */
                    TCR2 = $C0FF
                    TCR2_VALUE(high) = $C0
                    Assert interrupt request
                    Generate a match on ERT + $8000
                    Negate MRL                                     /* this match has been handled */
                    Negate channel flag0, flag1
                    If host sequence bit 0 = 0 then {           /* bank mode */
                        BANK_SIGNAL = $00
                    }
                    Else {                                       /* count mode */
                        MISSING_COUNT = $00
                    }
                }
            }
            Else {
                Generate a match on ERT + $8000
                Negate MRL                                     /* this match has been handled */
            }
        }
    }
    If TDL = 1 then {
NEW_PER:                                             /* address label */
                                                            /* see Figure 12 Period Time Calculation. */
        PERIOD_TIME (14:0) = ERT – REF_TIME
        PERIOD_TIME (22:15) = ROLLOVER_COUNT
        If (channel flag1 = 1) then PERIOD_TIME = PERIOD_TIME/2
                                                            /* update period parameters */
        PERIOD_LOW_WORD = PERIOD_TIME [15:0]
        PERIOD_HIGH_WORD = PERIOD_TIME [22:16]                /* upper bits zero */
        REF_TIME = ERT
        ROLLOVER_COUNT = 0
        Negate TDL
        TCR2_VALUE (low) = TCR2_VALUE (low) + 1
        If TCR2 (low) > TCR2_MAX_VALUE then {
            TCR2 = $80FF
        }
    }

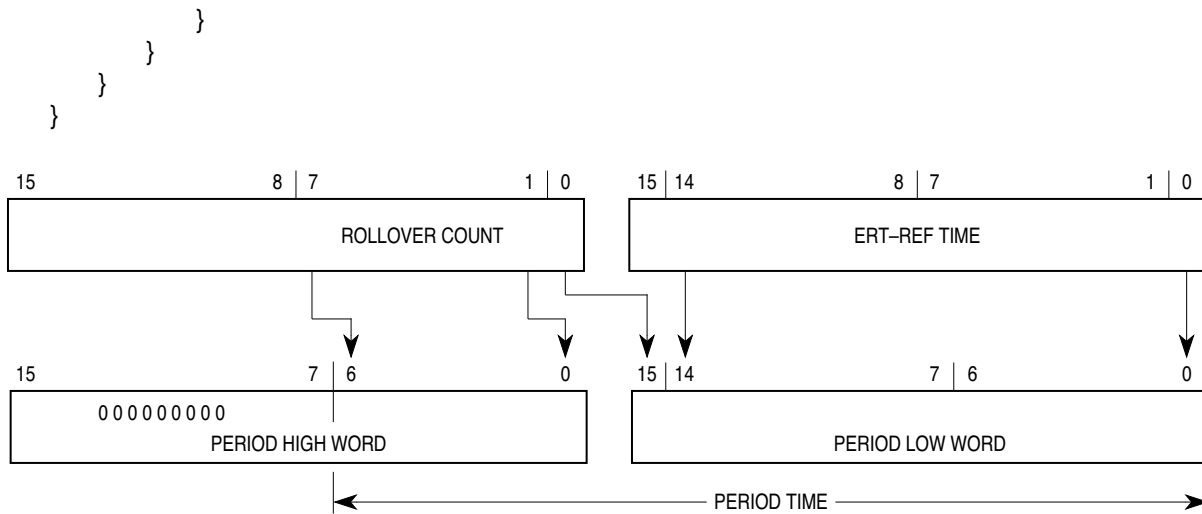
```


Freescale Semiconductor, Inc.

```

TCR2_VALUE (high) = $80
Generate a match on ERT + $8000
Assert interrupt request
Negate MRL /* this match has been handled */
Negate channel flag0, flag1
If host sequence bit 0 = 0 then { /* bank mode */
    BANK_SIGNAL = $00
}
Else { /* count mode */
    MISSING_COUNT = $00
}
}
Else {
    If (PERIOD_TIME ≥ $10000) then { /* Period error*/
        If (TCR2_VALUE(15) = 0) then { /* issue period error */
            TCR2 = $C0FF
            TCR2_VALUE(high) = $C0
            Assert interrupt request
            Generate a match on ERT + $8000
            Negate MRL /* this match has been handled */
            Negate channel flag0, flag1
            If host sequence bit 0 = 0 then { /* bank mode */
                BANK_SIGNAL = $00
            }
            Else { /* count mode */
                MISSING_COUNT = $00
            }
        }
    }
}
Else { /* PERIOD_TIME < $10000 */
    MISSING_TR_TIME = PERIOD_TIME * RATIO
    If (< $8000) then { /* initiate search for missing transition */
        Prepare a match on ERT + MISSING_TR_TIME
        Assert flag0
    }
    Else { /* MISSING_TR_TIME ≥ $8000 */
        /* Period error*/
        If (TCR2_VALUE(15) = 0) then { /* issue period error */
            TCR2 = $C0FF
            TCR2_VALUE(high) = $C0
            Assert interrupt request
            Generate a match on ERT + $8000
            Negate MRL
            Negate channel flag0, flag1
            If host sequence bit 0 = 0 then {
                BANK_SIGNAL = $00
            }
            Else { /* count mode */
                MISSING_COUNT = $00
            }
        }
    }
}
}

```



1071A

Figure 12 Period Time Calculation

9.3 State 3: *Missing_Transition*

Condition: HSR1, HSR0, M/TSR, LSR, Pin, Flag0 = 001xx1.

Match Enable: Don't Care

Summary:

This state is entered as a result of a transition or a match event, when flag0 equals one. The TPU determines if there is a missing transition. When a missing transition is detected, the following steps are taken, and an interrupt request is asserted:

1. In count mode (host sequence bit 0 equals one):
 - If (TCR2 ≠ NUM_OF_TEETH), indicating an error condition, then TCR2 is set to \$80FF, the TCR2_VALUE high byte is set to \$80, the low byte is incremented, and MISSING_COUNT is set to \$0000; or else,
 - If (TCR2 = NUM_OF_TEETH), MISSING_COUNT is incremented, and if (MISSING_COUNT ≥ MAX_MISSING), then TCR2 is set to \$FFFF, TCR2_VALUE is set to \$00FF, and MISSING_COUNT is cleared.
2. In bank mode (host sequence bit 0 equals zero):
 - If (TCR2 ≠ NUM_OF_TEETH), indicating an error condition, then TCR2 is set to \$80FF, the TCR2_VALUE high byte is set to \$80, the low byte is incremented, and BANK_SIGNAL is set to \$00; or else,
 - If (TCR2 = NUM_OF_TEETH) and if (BANK_SIGNAL ≠ \$00) (reference has been passed), then TCR2 is set to \$FFFF, TCR2_VALUE is set to \$00FF, and BANK_SIGNAL is set to \$00.

Algorithm:

```

Negate channel flag0
If (TDL = 0) and (MRL = 1) then {                               /* additional transition detected */
    If TCR2 (low) ≠ NUM_OF_TEETH then {
        TCR2 = $80FF
        TCR2_VALUE (high) = $80
        Generate a match on ERT + $8000
        Assert interrupt request
        Negate MRL                                               /* this match has been handled */
        Negate channel flag0, flag1
        If host sequence bit 0 = 0 then {                           /* bank mode */

```

```

        BANK_SIGNAL = $00
    }
    Else {
        MISSING_COUNT = $00
    }
}
Else {
    Assert channel flag1
    If (host sequence bit 0 = 0) and (BANK_SIGNAL ≠ $00) then {
        TCR2 = $FFFF
        TCR2_VALUE = $00FF
        BANK_SIGNAL = $00
        Assert interrupt request
    }
    If (host sequence bit 0 = 1) then {
        MISSING_COUNT = MISSING_COUNT + 1
        If (MISSING_COUNT ≥ MAX_MISSING) then {
            TCR2 = $FFFF
            TCR2_VALUE = $00FF
            MISSING_COUNT = $00
            Assert interrupt request
        }
    }
}
Prepare a match on REF_TIME + $8000
Negate MRL
/* this match has been handled */
}
Else If (TDL = 1) then {
    /* Also MRL = 0 */
    If (ERT – REF_TIME ≥ $8000) then {
        Goto INCR_ROLLOVER
        /* calculate new period */
    }
    Goto NEW_PER
    /* calculate new period */
}
Else If ((MRL = 1) and (TDL = 1)) then {
    /* TCR error */
    Negate TDL
    TCR2_VALUE (low) = TCR2_VALUE (low) + 1
    REF_TIME = ERT
    TCR2 = $80FF
    TCR2_VALUE (high) = $80
    Generate a match on ERT + $8000
    Assert interrupt request
    Negate MRL
    /* this match has been handled */
    Negate channel flag0, flag1
    If host sequence bit 0 = 0 then {
        /* bank mode */
        BANK_SIGNAL = $00
    }
    Else {
        /* count mode */
        MISSING_COUNT = $00
    }
}
}

```

The table below shows the PMM state transitions listing the service request sources and channel conditions from current state to next state. **Figure 13** illustrates the flow of PMM states, including the initialization and immediate update states.

Table 3 PMM State Transition Table

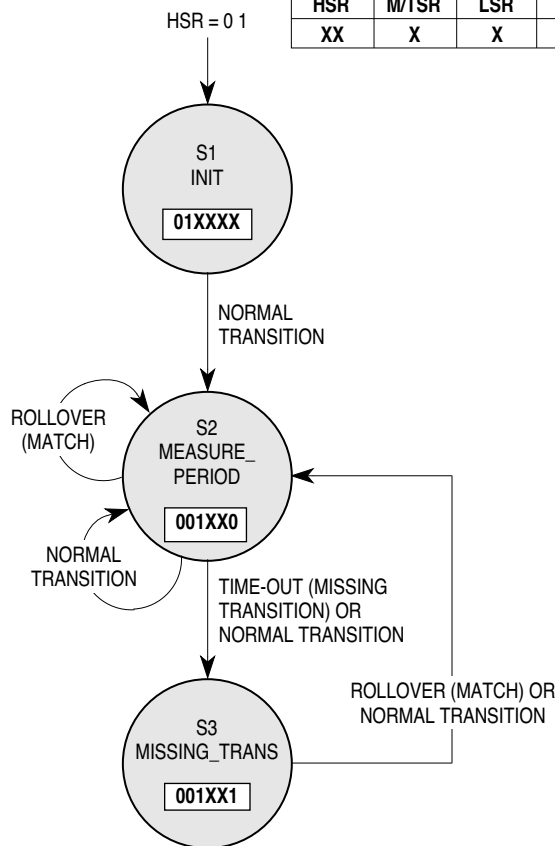
Current State	HSR	M/TSR	LSR	Pin	Flag0	Next State
All States	01	—	—	—	—	S1 Init
S1 Init	00	1	—	—	0	S2 Measure_Period
S2 Measure_Period	00	1	—	—	0	S2 Measure_Period
	00	1	—	—	1	S3 Missing_Trans
S3 Missing_Trans	00	1	—	—	0	S2 Measure_Period
	00	1	—	—	1	S3 Missing_Trans
Unimplemented Conditions	11	—	—	—	—	—
	10	—	—	—	—	—
	00	0	1	—	—	—

NOTES:

- Conditions not specified are "don't care."
- HSR = Host service request
LSR = Link service request
M/TSR = Either a match or transition (input capture) service request occurred (M/TSR = 1) or neither occurred (M/TSR = 0).

KEY:

HSR	M/TSR	LSR	PIN	FLAG0	FLAG1
XX	X	X	X	X	X



1040A

Figure 13 PMM State Flowchart

Motorola reserves the right to make changes without further notice to any products herein. Motorola makes no warranty, representation or guarantee regarding the suitability of its products for any particular purpose, nor does Motorola assume any liability arising out of the application or use of any product or circuit, and specifically disclaims any and all liability, including without limitation consequential or incidental damages. "Typical" parameters which may be provided in Motorola data sheets and/or specifications can and do vary in different applications. All operating parameters, including "Typicals" must be validated for each customer application by customer's technical experts. Motorola does not convey any license under its patent rights nor the rights of others. Motorola products are not designed, intended, or authorized for use as components in systems intended for surgical implant into the body, or other applications intended to support or sustain life, or for any other application in which the failure of the Motorola product could create a situation where personal injury or death may occur. Should Buyer purchase or use Motorola products for any such unintended or unauthorized application, Buyer shall indemnify and hold Motorola and its officers, employees, subsidiaries, affiliates, and distributors harmless against all claims, costs, damages, and expenses, and reasonable attorney fees arising out of, directly or indirectly, any claim of personal injury or death associated with such unintended or unauthorized use, even if such claim alleges that Motorola was negligent regarding the design or manufacture of the part. MOTOROLA and ! are registered trademarks of Motorola, Inc. Motorola, Inc. is an Equal Opportunity/Affirmative Action Employer.

How to reach us:

USA/EUROPE/Locations Not Listed: Motorola Literature Distribution;
P.O. Box 5405, Denver Colorado 80217. 1-800-441-2447, (303) 675-2140

JAPAN: Nippon Motorola Ltd.; Tatsumi-SPD-JLDC,
6F Seibu-Butsuryu-Center, 3-14-2 Tatsumi Koto-Ku, Tokyo 135, Japan. 81-3-3521-8315

ASIA PACIFIC: Motorola Semiconductors H.K. Ltd.; 8B Tai Ping Industrial Park,
51 Ting Kok Road, Tai Po, N.T., Hong Kong. 852-26629298



MOTOROLA

**For More Information On This Product,
Go to: www.freescale.com**